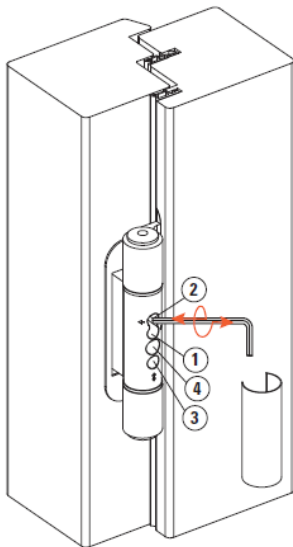


### Adjusting the hinges

#### Height adjustment

1. Carry out the height adjustment by operating on screw 3.
2. To distribute weight properly, carry out the adjustment first on one hinge and then gently line up the adjustment screws of the other hinges.
3. The adjustment is a self-locking mechanism.



<b>Horizontal</b>	+/- 3 mm
<b>Height</b>	+ 3 mm / - 2 mm
<b>Gasket pressure</b>	+/- 2 mm

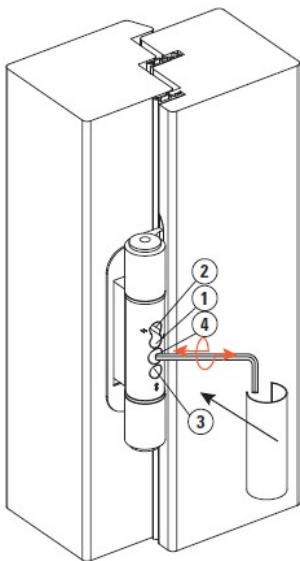
The adjustment holes are placed on the front of the hinge. These are independent, mechanical adjustments which do not interfere with each other and are made with a 4 mm hex key. Each hinge can be adjusted in 3 dimensions to better distribute the weight on all the hinges. Therefore then can be adjusted in any order.

#### Horizontal adjustment to the left side

1. Loosen screw 1.
2. Tighten screw 2.

#### Horizontal adjustment to the right side

1. Loosen screw 2.
2. Tighten screw 1.



#### Gasket pressure adjustment

1. Carry out the gasket pressure adjustment by operating on screw 4.
2. The adjustment is a self-locking mechanism

Once the adjustments are completed, fit the cap in the main body.